

**Note: This product is being discontinued.** You cannot order this part after April 24, 2006. Xilinx recommends replacing the XC2C32 device with the XC2C32A device in all designs as soon as possible. The XC2C32A device is pin-to-pin compatible with the XC2C32 device. See [XCN05017](#) for details regarding the discontinuation of the XC2C32 device.

## Features

- Optimized for 1.8V systems
  - As fast as 2.8 ns pin-to-pin logic delays
  - As low as 12  $\mu$ A quiescent current
- Industries best 0.18 micron CMOS CPLD
  - Optimized architecture for effective logic synthesis
  - Multi-voltage I/O operation: 1.5V through 3.3V
- Available in multiple package options
  - 44-pin PLCC with 33 user I/O
  - 44-pin VQFP with 33 user I/O
  - 56-ball CP BGA with 33 user I/O
- Advanced system features
  - Fastest in system programming
    - 1.8V ISP using IEEE 1532 (JTAG) interface
  - IEEE1149.1 JTAG Boundary Scan Test
  - Optional Schmitt-trigger input (per pin)
  - RealDigital 100% CMOS product term generation
  - Flexible clocking modes
  - Optional DualEDGE triggered registers
  - Global signal options with macrocell control
    - Multiple global clocks with phase selection per macrocell
    - Multiple global output enables
    - Global set/reset
  - Efficient control term clocks, output enables and set/resets for each macrocell and shared across function blocks
  - Advanced design security
  - Open-drain output option for Wired-OR and LED drive
  - Optional configurable grounds on unused I/Os
  - Mixed I/O voltages compatible with 1.5V, 1.8V, 2.5V, and 3.3V logic levels
  - PLA architecture
    - Superior pinout retention
    - 100% product term routability across function block
  - Hot pluggable

Refer to the CoolRunner™-II family data sheet for architecture description.

## Description

The CoolRunner-II 32-macrocell device is designed for both high performance and low power applications. This lends power savings to high-end communication equipment and high speed to battery operated devices. Due to the low power stand-by and dynamic operation, overall system reliability is improved

This device consists of two Function Blocks inter-connected by a low power Advanced Interconnect Matrix (AIM). The AIM feeds 40 true and complement inputs to each Function Block. The Function Blocks consist of a 40 by 56 P-term PLA and 16 macrocells which contain numerous configuration bits that allow for combinational or registered modes of operation.

Additionally, these registers can be globally reset or preset and configured as a D or T flip-flop or as a D latch. There are also multiple clock signals, both global and local product term types, configured on a per macrocell basis. Output pin configurations include slew rate limit, bus hold, pull-up, open drain and programmable grounds. A Schmitt trigger input is available on a per input pin basis. In addition to storing macrocell output states, the macrocell registers may be configured as "direct input" registers to store signals directly from input pins.

Clocking is available on a global or Function Block basis. Three global clocks are available for all Function Blocks as a synchronous clock source. Macrocell registers can be individually configured to power up to the zero or one state. A global set/reset control line is also available to asynchronously set or reset selected registers during operation. Additional local clock, synchronous clock-enable, asynchronous set/reset and output enable signals can be formed using product terms on a per-macrocell or per-Function Block basis.

A DualEDGE flip-flop feature is also available on a per macrocell basis. This feature allows high performance synchronous operation based on lower frequency clocking to help reduce the total power consumption of the device.

The CoolRunner-II 32-macrocell CPLD is I/O compatible with standard LVTTTL and LVCMOS18, LVCMOS25, and LVCMOS33 (see [Table 1](#)). This device is also LVCMOS15 compatible with the use of Schmitt-trigger inputs.

## RealDigital Design Technology

Xilinx CoolRunner-II CPLDs are fabricated on a 0.18 micron process technology which is derived from leading edge FPGA product development. CoolRunner-II CPLDs employ RealDigital, a design technique that makes use of CMOS technology in both the fabrication and design methodology. RealDigital design technology employs a cascade of CMOS gates to implement sum of products instead of traditional sense amplifier methodology. Due to this technology, Xilinx CoolRunner-II CPLDs achieve both high performance and low power operation.

## Supported I/O Standards

The CoolRunner-II 32 macrocell features both LVCMOS and LVTTTL I/O implementations. See [Table 1](#) for I/O standard voltages. The LVTTTL I/O standard is a general purpose EIA/JEDEC standard for 3.3V applications that use an LVTTTL input buffer and Push-Pull output buffer. The

LVCMOS standard is used in 3.3V, 2.5V, 1.8V applications. CoolRunner-II CPLDs are also 1.5V I/O compatible with the use of Schmitt-trigger inputs.

Table 1: I/O Standards for XC2C32

IOSTANDARD Attribute	Output V <sub>CCIO</sub>	Input V <sub>CCIO</sub>	Input V <sub>REF</sub>	Board Termination Voltage V <sub>T</sub>
LVTTTL	3.3	3.3	N/A	N/A
LVCMOS33	3.3	3.3	N/A	N/A
LVCMOS25	2.5	2.5	N/A	N/A
LVCMOS18	1.8	1.8	N/A	N/A
LVCMOS15 <sup>(1)</sup>	1.5	1.5	N/A	N/A

1. LVCMOS15 requires the use of Schmitt-triggers.

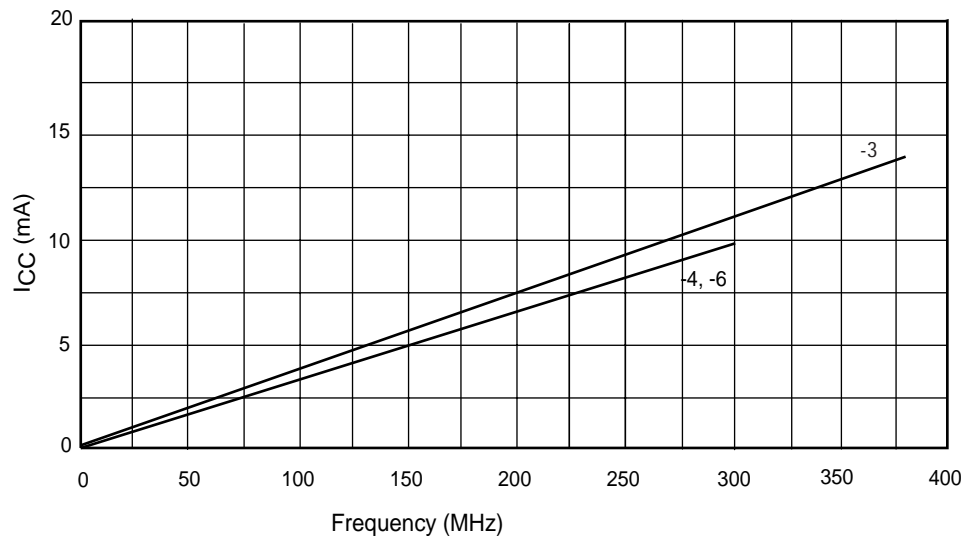


Figure 1: I<sub>CC</sub> vs Frequency

Table 2: I<sub>CC</sub> vs Frequency (LVCMOS 1.8V T<sub>A</sub> = 25°C)<sup>(1)</sup>

	Frequency (MHz)												
	0	25	50	75	100	150	175	200	225	250	300	350	385
Typical -3 I <sub>CC</sub> (mA)	0.03	0.98	1.92	2.90	3.82	5.68	6.65	7.54	8.41	9.35	11.16	12.97	14.09
Typical -4, -6 I <sub>CC</sub> (mA)	0.016	0.87	1.75	2.61	3.44	5.16	5.99	6.81	7.63	8.36	9.93	-	-

### Notes:

1. 16-bit up/down, resettable binary counter (one counter per function block).

## Absolute Maximum Ratings

Symbol	Description	Value	Units
$V_{CC}$	Supply voltage relative to ground	-0.5 to 2.0	V
$V_{CCIO}$	Supply voltage for output drivers	-0.5 to 4.0	V
$V_{JTAG}^{(2)}$	JTAG input voltage limits	-0.5 to 4.0	V
$V_{AUX}$	JTAG input supply voltage	-0.5 to 4.0	V
$V_{IN}^{(1)}$	Input voltage relative to ground	-0.5 to 4.0	V
$V_{TS}^{(1)}$	Voltage applied to 3-state output	-0.5 to 4.0	V
$T_{STG}^{(3)}$	Storage Temperature (ambient)	-65 to +150	°C
$T_J$	Junction Temperature	+150	°C

### Notes:

- Maximum DC undershoot below GND must be limited to either 0.5V or 10 mA, whichever is easiest to achieve. During transitions, the device pins may undershoot to -2.0v or overshoot to +4.5V, provided this over or undershoot lasts less than 10 ns and with the forcing current being limited to 200 mA.
- Valid over commercial temperature range.
- For soldering guidelines and thermal considerations, see the [Device Packaging](#) information on the Xilinx website. For Pb free packages, see [XAPP427](#).

## Recommended Operating Conditions

Symbol	Parameter	Min	Max	Units	
$V_{CC}$	Supply voltage for internal logic and input buffers	Commercial $T_A = 0^\circ\text{C}$ to $+70^\circ\text{C}$	1.7	1.9	V
		Industrial $T_A = -40^\circ\text{C}$ to $+85^\circ\text{C}$	1.7	1.9	V
$V_{CCIO}$	Supply voltage for output drivers @ 3.3V operation	3.0	3.6	V	
	Supply voltage for output drivers @ 2.5V operation	2.3	2.7	V	
	Supply voltage for output drivers @ 1.8V operation	1.7	1.9	V	
	Supply voltage for output drivers @ 1.5V operation	1.4	1.6	V	
$V_{AUX}$	JTAG programming pins	1.7	3.6	V	

## DC Electrical Characteristics (Over Recommended Operating Conditions)

Symbol	Parameter	Test Conditions	Typical	Max.	Units
$I_{CCSB}$	Standby current (-3)	$V_{CC} = 1.9\text{V}$ , $V_{CCIO} = 3.6\text{V}$	150	1000	$\mu\text{A}$
$I_{CCSB}$	Standby current (-4, -6)	$V_{CC} = 1.9\text{V}$ , $V_{CCIO} = 3.6\text{V}$	22	90	$\mu\text{A}$
$I_{CCSB}$	Standby current (-6 industrial)	$V_{CC} = 1.9\text{V}$ , $V_{CCIO} = 3.6\text{V}$	38	150	$\mu\text{A}$
$I_{CC}^{(1)}$	Dynamic current (-3)	$f = 1\text{ MHz}$	-	1.2	mA
		$f = 50\text{ MHz}$	-	4.0	mA
$I_{CC}^{(1)}$	Dynamic current (-4, -6)	$f = 1\text{ MHz}$	-	0.25	mA
		$f = 50\text{ MHz}$	-	2.5	mA
$C_{JTAG}$	JTAG input capacitance	$f = 1\text{ MHz}$	-	10	pF
$C_{CLK}$	Global clock input capacitance	$f = 1\text{ MHz}$	-	12	pF
$C_{IO}$	I/O capacitance	$f = 1\text{ MHz}$	-	10	pF
$I_{IL}^{(2)}$	Input leakage current	$V_{IN} = 0\text{V}$ or $V_{CCIO}$ to 3.9V	-	+/-1	$\mu\text{A}$
$I_{IH}^{(2)}$	I/O High-Z leakage	$V_{IN} = 0\text{V}$ or $V_{CCIO}$ to 3.9V	-	+/-1	$\mu\text{A}$

### Notes:

- 16-bit up/down resettable binary counter (one per Function Block) tested at  $V_{CC} = V_{CCIO} = 1.9\text{V}$ .
- See Quality and Reliability section of the CoolRunner-II family data sheet.

## LVC MOS 3.3V and LV TTL 3.3V DC Voltage Specifications

Symbol	Parameter	Test Conditions	Min.	Max.	Units
$V_{CCIO}$	Input source voltage		3.0	3.6	V
$V_{IH}$	High level input voltage		2	3.9	V
$V_{IL}$	Low level input voltage		-0.3	0.8	V
$V_{OH}$	High level output voltage	$I_{OH} = -8 \text{ mA}, V_{CCIO} = 3\text{V}$	$V_{CCIO} - 0.4\text{V}$	-	V
		$I_{OH} = -0.1 \text{ mA}, V_{CCIO} = 3\text{V}$	$V_{CCIO} - 0.2\text{V}$	-	V
$V_{OL}$	Low level output voltage	$I_{OL} = 8 \text{ mA}, V_{CCIO} = 3\text{V}$	-	0.4	V
		$I_{OL} = 0.1 \text{ mA}, V_{CCIO} = 3\text{V}$	-	0.2	V

## LVC MOS 2.5V DC Voltage Specifications

Symbol	Parameter	Test Conditions	Min.	Max.	Units
$V_{CCIO}$	Input source voltage		2.3	2.7	V
$V_{IH}$	High level input voltage		1.7	3.9	V
$V_{IL}$	Low level input voltage		-0.3	0.7	V
$V_{OH}$	High level output voltage	$I_{OH} = -8 \text{ mA}, V_{CCIO} = 2.3\text{V}$	$V_{CCIO} - 0.4\text{V}$	-	V
		$I_{OH} = -0.1 \text{ mA}, V_{CCIO} = 2.3\text{V}$	$V_{CCIO} - 0.2\text{V}$	-	V
$V_{OL}$	Low level output voltage	$I_{OL} = 8 \text{ mA}, V_{CCIO} = 2.3\text{V}$	-	0.4	V
		$I_{OL} = 0.1 \text{ mA}, V_{CCIO} = 2.3\text{V}$	-	0.2	V

## LVC MOS 1.8V DC Voltage Specifications

Symbol	Parameter	Test Conditions	Min.	Max.	Units
$V_{CCIO}$	Input source voltage		1.7	1.9	V
$V_{IH}$	High level input voltage		$0.65 \times V_{CCIO}$	3.9	V
$V_{IL}$	Low level input voltage		-0.3	$0.35 \times V_{CCIO}$	V
$V_{OH}$	High level output voltage	$I_{OH} = -8 \text{ mA}, V_{CCIO} = 1.7\text{V}$	$V_{CCIO} - 0.45$	-	V
		$I_{OH} = -0.1 \text{ mA}, V_{CCIO} = 1.7\text{V}$	$V_{CCIO} - 0.2$	-	V
$V_{OL}$	Low level output voltage	$I_{OL} = 8 \text{ mA}, V_{CCIO} = 1.7\text{V}$	-	0.45	V
		$I_{OL} = 0.1 \text{ mA}, V_{CCIO} = 1.7\text{V}$	-	0.2	V

## LVC MOS 1.5V DC Voltage Specifications<sup>(1)</sup>

Symbol	Parameter	Test Conditions	Min.	Max.	Units
$V_{CCIO}$	Input source voltage		1.4	1.6	V
$V_{T+}$	Input hysteresis threshold voltage		$0.5 \times V_{CCIO}$	$0.8 \times V_{CCIO}$	V
$V_{T-}$			$0.2 \times V_{CCIO}$	$0.5 \times V_{CCIO}$	V
$V_{OH}$	High level output voltage	$I_{OH} = -8 \text{ mA}, V_{CCIO} = 1.4\text{V}$	$V_{CCIO} - 0.45$	-	V
		$I_{OH} = -0.1 \text{ mA}, V_{CCIO} = 1.4\text{V}$	$V_{CCIO} - 0.2$	-	V
$V_{OL}$	Low level output voltage	$I_{OL} = 8 \text{ mA}, V_{CCIO} = 1.4\text{V}$	-	0.4	V
		$I_{OL} = 0.1 \text{ mA}, V_{CCIO} = 1.4\text{V}$	-	0.2	V

### Notes:

1. Hysteresis used on 1.5V inputs.

## Schmitt Trigger Input DC Voltage Specifications

Symbol	Parameter	Test Conditions	Min.	Max.	Units
$V_{CCIO}$	Input source voltage		1.4	3.9	V
$V_{T+}$	Input hysteresis threshold voltage		$0.5 \times V_{CCIO}$	$0.8 \times V_{CCIO}$	V
$V_{T-}$			$0.2 \times V_{CCIO}$	$0.5 \times V_{CCIO}$	V

## AC Electrical Characteristics Over Recommended Operating Conditions

Symbol	Parameter	-3		-4		-6		Units
		Min.	Max.	Min.	Max.	Min.	Max.	
$T_{PD1}$	Propagation delay single p-term	-	2.8	-	3.8	-	5.5	ns
$T_{PD2}$	Propagation delay OR array	-	3.0	-	4.0	-	6.0	ns
$T_{SUD}$	Direct input register clock setup time	1.5	-	1.7	-	2.2	-	ns
$T_{SU1}$	Setup time fast (single p-term)	1.5	-	1.9	-	2.6	-	ns
$T_{SU2}$	Setup time (OR array)	1.7	-	2.1	-	3.1	-	ns
$T_{HD}$	Direct input register hold time	0.0	-	0.0	-	0.0	-	ns
$T_H$	P-term hold time	0.0	-	0.0	-	0.0	-	ns
$T_{CO}$	Clock to output	-	2.8	-	3.7	-	4.7	ns
$F_{TOGGLE}^{(1)}$	Internal toggle rate	-	500	-	450	-	300	MHz
$F_{SYSTEM1}^{(2)}$	Maximum system frequency	-	417	-	323	-	200	MHz
$F_{SYSTEM2}^{(2)}$	Maximum system frequency	-	385	-	303	-	182	MHz
$F_{EXT1}^{(3)}$	Maximum external frequency	-	233	-	179	-	137	MHz
$F_{EXT2}^{(3)}$	Maximum external frequency	-	222	-	172	-	128	MHz
$T_{PSUD}$	Direct input register p-term clock setup time	0.6	-	0.4	-	0.9	-	ns
$T_{PSU1}$	P-term clock setup time (single p-term)	0.6	-	0.6	-	1.3	-	ns
$T_{PSU2}$	P-term clock setup time (OR array)	0.8	-	0.8	-	1.8	-	ns
$T_{PHD}$	Direct input register p-term clock hold time	0.9	-	1.5	-	1.6	-	ns
$T_{PH}$	P-term clock hold	0.9	-	1.3	-	1.2	-	ns
$T_{PCO}$	P-term clock to output	-	3.7	-	5.0	-	6.0	ns
$T_{OE}/T_{OD}$	Global OE to output enable/disable	-	4.0	-	4.2	-	5.5	ns
$T_{POE}/T_{POD}$	P-term OE to output enable/disable	-	5.3	-	5.5	-	6.7	ns
$T_{MOE}/T_{MOD}$	Macrocell driven OE to output enable/disable	-	4.8	-	5.0	-	6.9	ns
$T_{PAO}$	P-term set/reset to output valid	-	4.9	-	5.5	-	6.8	ns
$T_{AO}$	Global set/reset to output valid	-	4.0	-	4.5	-	5.5	ns
$T_{SUEC}$	Register clock enable setup time	1.8	-	2.0	-	3.0	-	ns
$T_{HEC}$	Register clock enable hold time	0.0	-	0.0	-	0.0	-	ns
$T_{CW}$	Global clock pulse width High or Low	0.9	-	1.4	-	2.2	-	ns
$T_{PCW}$	P-term pulse width High or Low	3.0	-	4.0	-	6.0	-	ns
$T_{APRPW}$	Asynchronous preset/reset pulse width (High or Low)	3.0	-	4.0	-	6.0	-	ns
$T_{CONFIG}^{(4)}$	Configuration time	-	50	-	50	-	50	$\mu$ s

### Notes:

- $F_{TOGGLE}$  is the maximum clock frequency to which a T-Flip Flop can reliably toggle (see the CoolRunner-II family data sheet).
- $F_{SYSTEM1}$  ( $1/T_{CYCLE}$ ) is the internal operating frequency for a device fully populated with one 16-bit counter through one p-term per macrocell while  $F_{SYSTEM2}$  is through the OR array.
- $F_{EXT1}$  ( $1/(T_{SU1}+T_{CO})$ ) is the maximum external frequency using one p-term while  $F_{EXT2}$  is through the OR array.
- Typical configuration current during  $T_{CONFIG}$  is 500  $\mu$ A.

## Internal Timing Parameters

Symbol	Parameter <sup>(1)</sup>	-3		-4		-6		Units
		Min.	Max.	Min.	Max.	Min.	Max.	
<b>Buffer Delays</b>								
T <sub>IN</sub>	Input buffer delay	-	0.8	-	1.3	-	1.7	ns
T <sub>DIN</sub>	Direct register input delay	-	1.2	-	1.5	-	2.4	ns
T <sub>GCK</sub>	Global Clock buffer delay	-	1.2	-	1.3	-	2.0	ns
T <sub>GSR</sub>	Global set/reset buffer delay	-	1.2	-	1.6	-	2.0	ns
T <sub>GTS</sub>	Global 3-state buffer delay	-	0.8	-	1.3	-	2.1	ns
T <sub>OUT</sub>	Output buffer delay	-	1.4	-	1.8	-	2.0	ns
T <sub>EN</sub>	Output buffer enable/disable delay	-	3.2	-	2.9	-	3.4	ns
<b>P-term Delays</b>								
T <sub>CT</sub>	Control term delay	-	1.3	-	1.3	-	1.6	ns
T <sub>LOGI1</sub>	Single p-term delay adder	-	0.4	-	0.4	-	1.1	ns
T <sub>LOGI2</sub>	Multiple p-term delay adder	-	0.2	-	0.2	-	0.5	ns
<b>Macrocell Delay</b>								
T <sub>PDI</sub>	Input to output valid	-	0.2	-	0.3	-	0.7	ns
T <sub>LDI</sub>	Setup before clock (transparent latch)	-	1.0	-	1.5	-	2.5	ns
T <sub>SUI</sub>	Setup before clock	1.5	-	1.5	-	1.8	-	ns
T <sub>HI</sub>	Hold after clock	0.0	-	0.0	-	0.0	-	ns
T <sub>ECSU</sub>	Enable clock setup time	0.9	-	0.7	-	1.7	-	ns
T <sub>ECHO</sub>	Enable clock hold time	0.0	-	0.0	-	0.0	-	ns
T <sub>COI</sub>	Clock to output valid	-	0.2	-	0.6	-	0.7	ns
T <sub>AOI</sub>	Set/reset to output valid	-	1.4	-	1.1	-	1.5	ns
<b>Feedback Delays</b>								
T <sub>F</sub>	Feedback delay	-	0.3	-	0.6	-	1.4	ns
T <sub>OEM</sub>	Macrocell to global OE delay	-	0.2	-	0.2	-	0.8	ns
<b>I/O Standard Time Adder Delays 1.5V CMOS</b>								
T <sub>HYS15</sub>	Hysteresis input adder	-	2.5	-	3.0	-	4.0	ns
T <sub>OUT15</sub>	Output adder	-	0.5	-	0.8	-	1.0	ns
T <sub>SLEW15</sub>	Output slew rate adder	-	3.0	-	4.0	-	5.0	ns
<b>I/O Standard Time Adder Delays 1.8V CMOS</b>								
T <sub>HYS18</sub>	Hysteresis input adder	-	2.0	-	3.0	-	4.0	ns
T <sub>OUT18</sub>	Output adder	-	0.0	-	0.0	-	0.0	ns
T <sub>SLEW</sub>	Output slew rate adder	-	3.0	-	4.0	-	5.0	ns

## Internal Timing Parameters (Continued)

Symbol	Parameter <sup>(1)</sup>	-3		-4		-6		Units
		Min.	Max.	Min.	Max.	Min.	Max.	
<b>I/O Standard Time Adder Delays 2.5V CMOS</b>								
T <sub>IN25</sub>	Standard input adder	-	0.7	-	0.8	-	1.0	ns
T <sub>HYS25</sub>	Hysteresis input adder	-	2.5	-	3.0	-	4.0	ns
T <sub>OUT25</sub>	Output adder	-	0.8	-	1.0	-	2.0	ns
T <sub>SLEW25</sub>	Output slew rate adder	-	4.0	-	5.0	-	7.0	ns
<b>I/O Standard Time Adder Delays 3.3V CMOS/TTL</b>								
T <sub>IN33</sub>	Standard input adder	-	0.7	-	0.8	-	1.0	ns
T <sub>HYS33</sub>	Hysteresis input adder	-	2.5	-	3.0	-	4.0	ns
T <sub>OUT33</sub>	Output adder	-	1.2	-	1.5	-	2.5	ns
T <sub>SLEW33</sub>	Output slew rate adder	-	4.0	-	5.0	-	7.0	ns

**Notes:**

1. 1.5 ns input pin signal rise/fall.

## Switching Characteristics

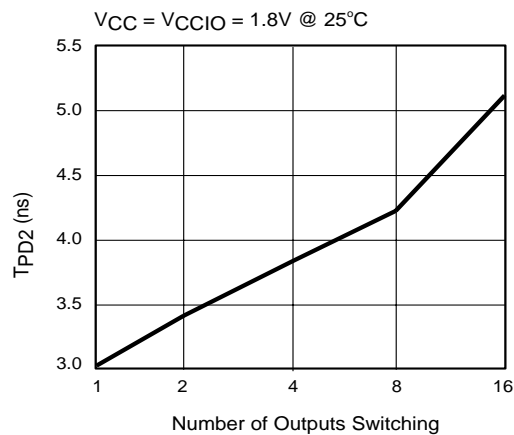
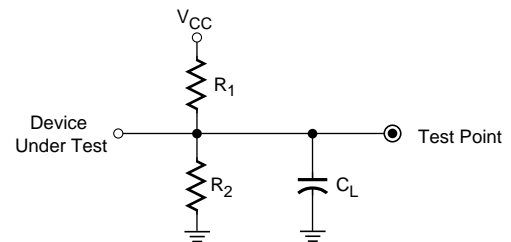


Figure 2: Derating Curve for T<sub>PD</sub>

DS091\_02\_112002

## AC Test Circuit



Output Type	R <sub>1</sub>	R <sub>2</sub>	C <sub>L</sub>
LVTTL33	268Ω	235Ω	35 pF
LVCMOS33	275Ω	275Ω	35 pF
LVCMOS25	188Ω	188Ω	35pF
LVCMOS18	112.5Ω	112.5Ω	35pF
LVCMOS15	150Ω	150Ω	35pF

C<sub>L</sub> includes test fixtures and probe capacitance.  
1.5 nsec maximum rise/fall times on inputs.

Figure 3: AC Load Circuit

DS\_ACT\_08\_14\_02

## Typical I/O Output Curves

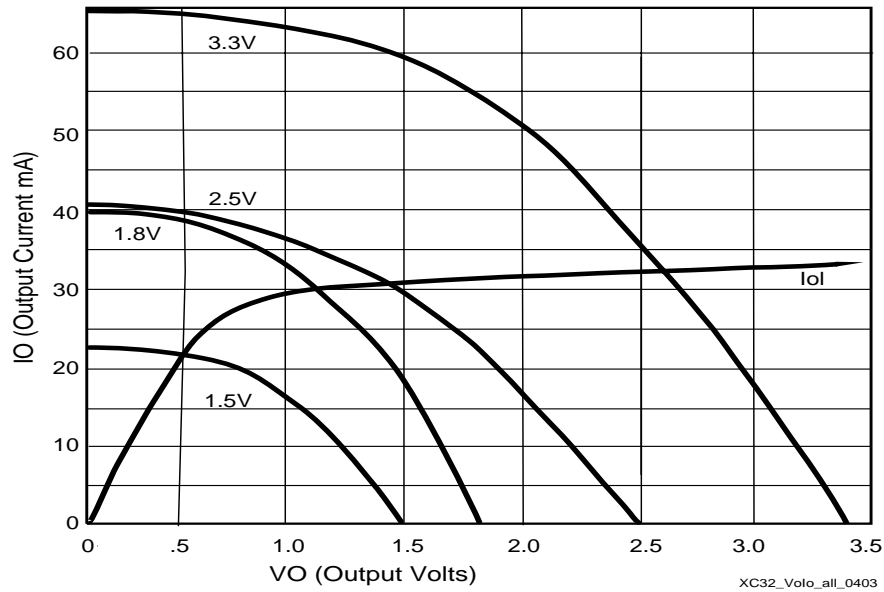


Figure 4: Typical I/V Curve for XC2C32

## Pin Descriptions

Function Block	Macrocell	PC44	VQ44	CP56
1	1	44	38	F1
1	2	43	37	E3
1	3	42	36	E1
1(GTS1)	4	40	34	D1
1(GTS0)	5	39	33	C1
1(GTS3)	6	38	32	A3
1(GTS2)	7	37	31	A2
1(GSR)	8	36	30	B1
1	9	35	29	A1
1	10	34	28	C4
1	11	33	27	C5
1	12	29	23	C8
1	13	28	22	A10
1	14	27	21	B10
1	15	26	20	C10
1	16	25	19	E8
2	1	1	39	G1
2	2	2	40	F3
2	3	3	41	H1
2	4	4	42	G3
2(GCK0)	5	5	43	J1
2(GCK1)	6	6	44	K1
2(GCK2)	7	7	1	K2



## Pin Descriptions (Continued)

Function Block	Macrocell	PC44	VQ44	CP56
2	8	8	2	K3
2	9	9	3	H3
2	10	11	5	K5
2	11	12	6	H5
2	12	14	8	H8
2	13	18	12	K8
2	14	19	13	H10
2	15	20	14	G10
2	16	22	16	F10

### Notes:

1. GTS = global output enable, GSR = global set reset, GCK = global clock

## XC2C32 Global, JTAG, Power/Ground and No Connect Pins

Pin Type	PC44 <sup>(1)</sup>	VQ44 <sup>(1)</sup>	CP56 <sup>(1)</sup>
TCK	17	11	K10
TDI	15	9	J10
TDO	30	24	A6
TMS	16	10	K9
Input Only	24	18	D10
V <sub>AUX</sub> (JTAG supply voltage)	41	35	D3
Power internal (V <sub>CC</sub> )	21	15	G8
Power external I/O (V <sub>CCIO</sub> )	13, 32	7,26	H6, C6
Ground	10,23,31	4,17,25	H4, F8, C7
No connects	-	-	K4, K6, K7, H7, E10, A7, A9, D8, A5, A8, A4, C3
Total user I/O (includes dual function pins)	33	33	33

### Notes:

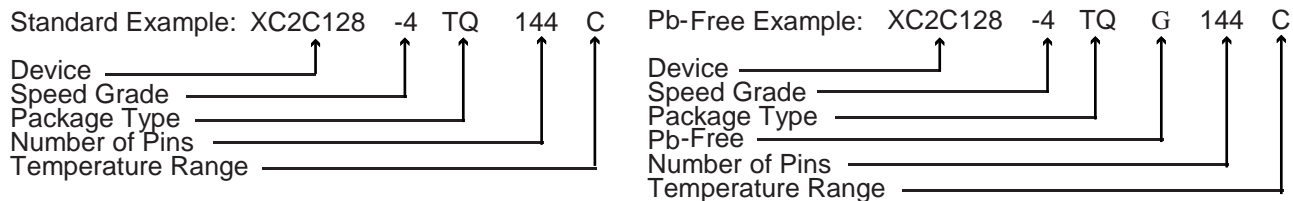
1. All packages pin compatible with larger macrocell densities

## Ordering Information

Part Number	Pin/Ball Spacing	$\theta_{JA}$ (C/Watt)	$\theta_{JC}$ (C/Watt)	Package Type	Package Body Dimensions	I/O	Comm. (C) Ind. (I) <sup>(1)</sup>
XC2C32-3PC44C	1.27mm	55.1	35.3	Plastic Leaded Chip Carrier	16.5mm x 16.5mm	33	C
XC2C32-4PC44C	1.27mm	55.1	35.3	Plastic Leaded Chip Carrier	16.5mm x 16.5mm	33	C
XC2C32-6PC44C	1.27mm	55.1	35.3	Plastic Leaded Chip Carrier	16.5mm x 16.5mm	33	C
XC2C32-3VQ44C	0.8mm	47.7	8.2	Very Thin Quad Flat Pack	10mm x 10mm	33	C
XC2C32-4VQ44C	0.8mm	47.7	8.2	Very Thin Quad Flat Pack	10mm x 10mm	33	C
XC2C32-6VQ44C	0.8mm	47.7	8.2	Very Thin Quad Flat Pack	10mm x 10mm	33	C
XC2C32-3CP56C	0.5mm	66.0	14.9	Chip Scale Package	6mm x 6mm	33	C
XC2C32-4CP56C	0.5mm	66.0	14.9	Chip Scale Package	6mm x 6mm	33	C
XC2C32-6CP56C	0.5mm	66.0	14.9	Chip Scale Package	6mm x 6mm	33	C
XC2C32-6PC44I	1.27mm	55.1	35.3	Plastic Leaded Chip Carrier	16.5mm x 16.5mm	33	I
XC2C32-6VQ44I	0.8mm	47.7	8.2	Very Thin Quad Flat Pack	10mm x 10mm	33	I
XC2C32-6CP56I	0.5mm	66.0	14.9	Chip Scale Package	6mm x 6mm	33	I

**Notes:**

1. C = Commercial ( $T_A = 0^\circ\text{C}$  to  $+70^\circ\text{C}$ ); I = Industrial ( $T_A = -40^\circ\text{C}$  to  $+85^\circ\text{C}$ )



## Device Part Marking

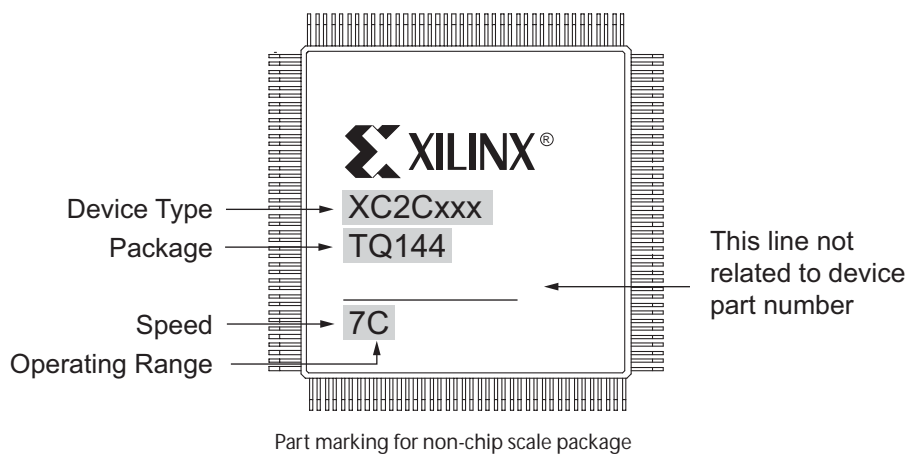


Figure 5: Sample Package with Part Marking

**Note:** Due to the small size of chip scale packages, the complete ordering part number cannot be included on the package marking. Part marking on chip scale packages by line are:

- Line 1 = X (Xilinx logo) then truncated part number
- Line 2 = Not related to device part number
- Line 3 = Not related to device part number
- Line 4 = Package code, speed, operating temperature, three digits not related to device part number. Package codes: C3 = CP56, C4 = CPG56.

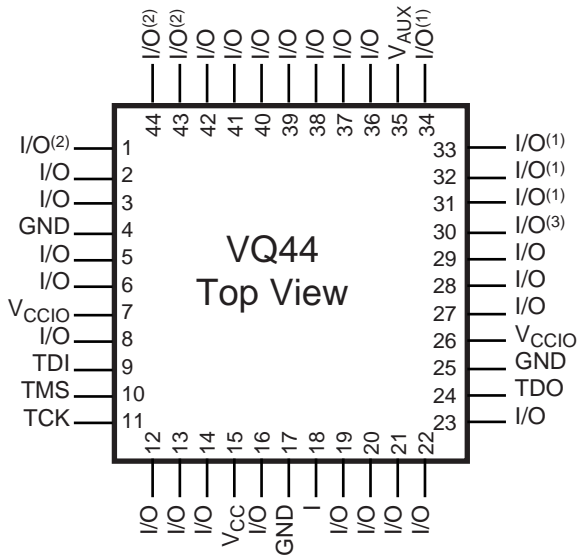


Figure 6: VQ44 Package

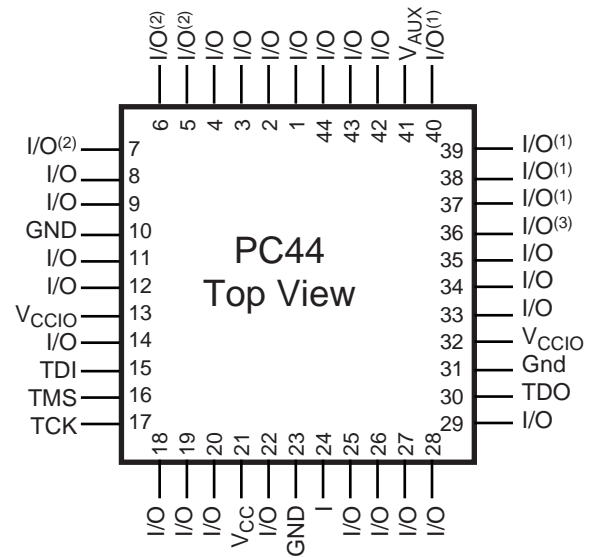
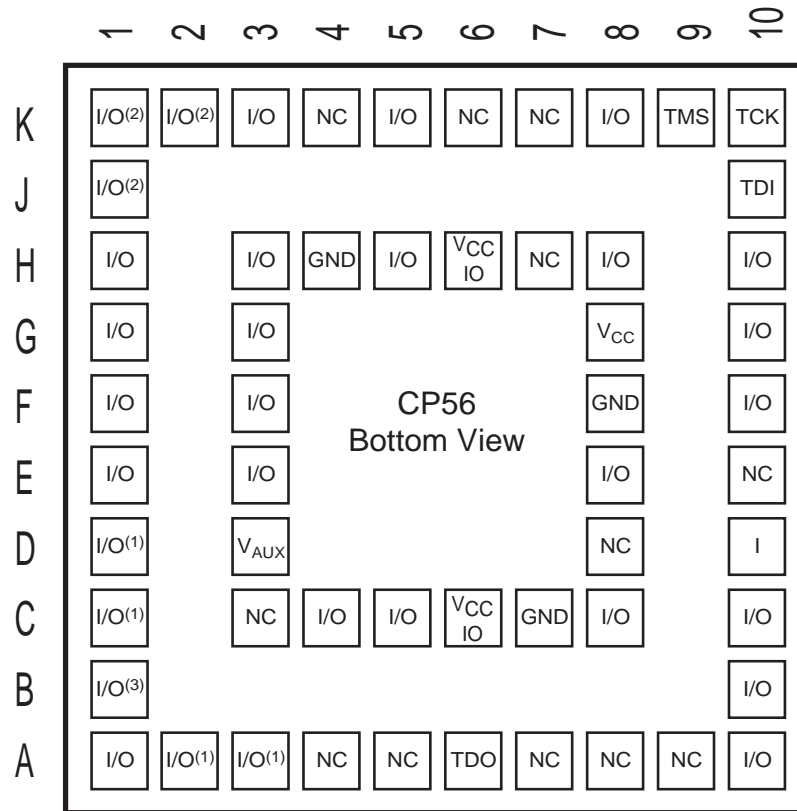


Figure 7: PC44 Package



- (1) - Global Output Enable  
 (2) - Global Clock  
 (3) - Global Set/Reset

Figure 8: CP56 Package

## Additional Information

[CoolRunner-II Data sheets and Application Notes](#)

[Device Package Drawings](#)

[Online Store](#)

## Revision History

The following table shows the revision history for this document.

Date	Version	Revision
06/04/02	1.0	Initial Xilinx release.
10/15/02	1.1	Add AC characteristics and minor edits.
11/26/02	1.2	Minor edits.
01/09/03	1.3	Minor edits.
04/15/03	2.0	Added bin 1 timing information.
08/18/03	2.1	Corrected package drawing, I <sub>IH</sub> , I <sub>IL</sub> consolidation.
01/26/04	2.2	Added links to packages and application notes.
03/30/04	2.3	Changed t <sub>FIN</sub> to t <sub>DIN</sub> . Recommended move to new XC2C32A device.
7/1/04	2.4	Pb-free documentation
10/01/04	2.5	Add Asynchronous Preset/Reset Pulse Width specification to AC Electrical Characteristics.

Date	Version	Revision
10/07/04	2.6	Removed note, page 1.
11/08/04	2.7	Add note recommending moving to XC2C32A for new designs.
01/30/05	2.8	Revised I <sub>CCSB</sub> MAX for Commercial and Industrial
03/07/05	2.9	Updated Table 1 for IOSTANDARD Attribute.
11/30/05	3.0	Notice of obsolescence.